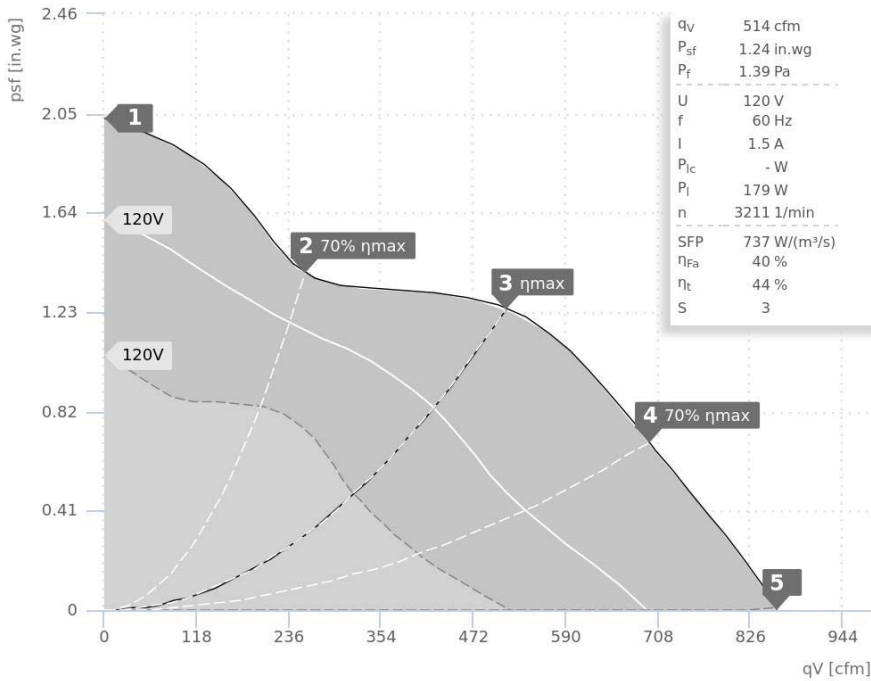


# DATA SHEET

## 8" Prime Evo | 147644



Operating Point		1	2	3	4	5
Current I	A	1,3	1,2	1,5	1,6	1,5
Power consumption P <sub>i</sub>	W	155	144	179	192	180
RPM n	1/min	3328	3371	3212	3163	3250
SPL inlet L <sub>WA5</sub>	dB(A)	78	77	79	77	78
SPL outlet L <sub>WA6</sub>	dB(A)	77	77	77	76	78
SPL casing break out L <sub>WA2</sub>	dB(A)	62	62	61	61	61

Sound power (L <sub>W</sub> ) dB(A)		Medium Frequency Band								
		Σ	63	125	250	500	1k	2k	4k	8k
Inlet	L <sub>WA5</sub>	79	41	56	65	75	74	72	66	59
Outlet	L <sub>WA6</sub>	77	45	58	67	71	73	69	66	57
Casing	L <sub>WA2</sub>	61	46	48	53	55	55	54	46	38

8" Prime Evo   147644	
Voltage U <sub>N</sub>	120 V 1~
Current I <sub>max</sub>	1,7 A
Ambient temperature t <sub>A</sub>	50 °C
Medium temperatures t <sub>M</sub>	50 °C
Speed Control	3-2-1
Motor protection	TAI
Insulation class motor	F
Weight	5,1 kg
Poles	2
IP motor	IP00
IP terminal box	-
Min. operating temperature	-25 °C

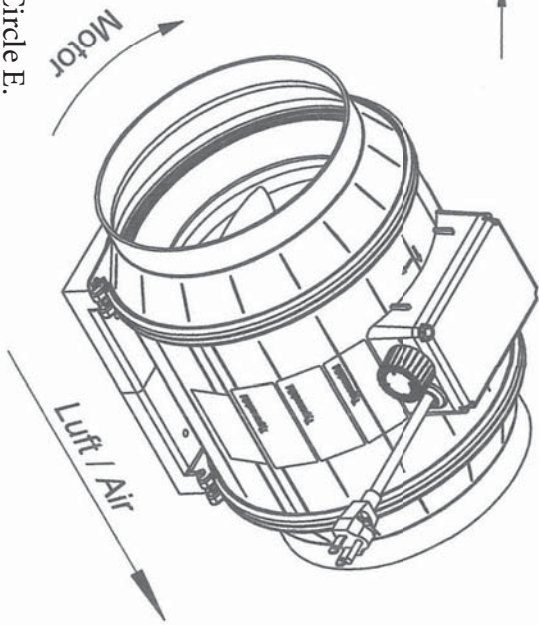
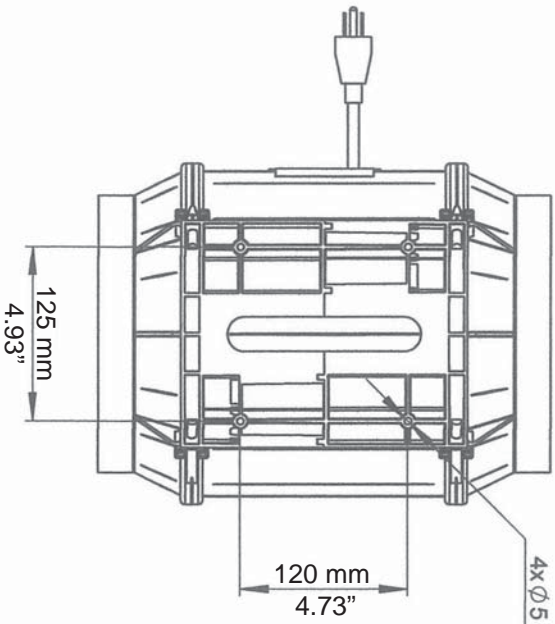
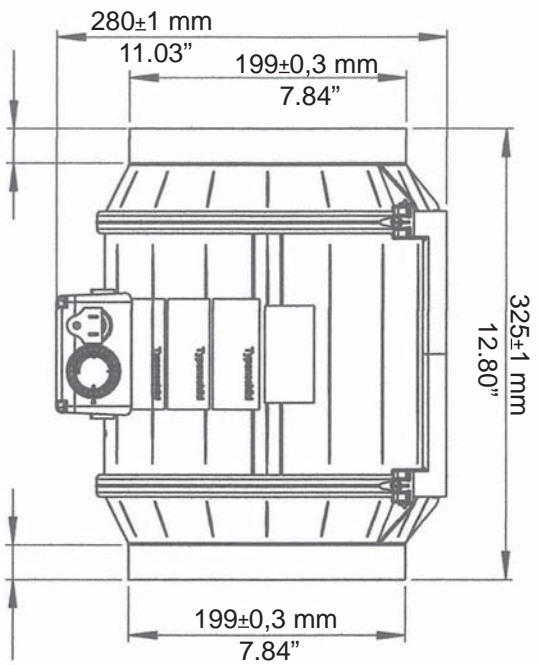
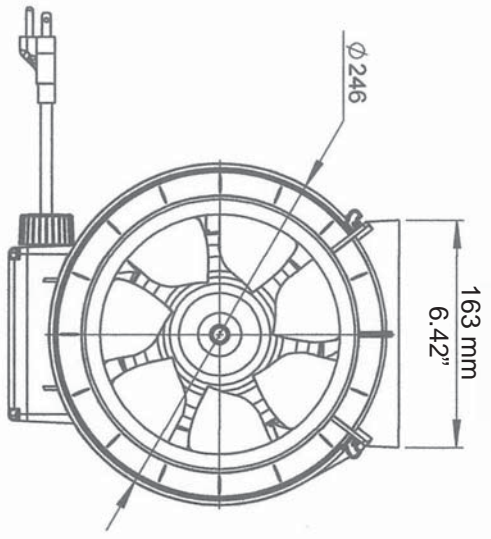
### Ruck Air Movement - Master Series by



2082 58th Ave. Circle E.  
Bradenton, FL 34203

Phone: 941.739.0879  
Fax: 941.739.0881

www.mastervent.com marion.pye@mastervent.com



2082 58th Ave. Circle E.  
Bradenton, FL 34203  
Phone: 941.739.0879  
Fax: 941.739.0881  
www.mastervent.com  
marion.pye@mastervent.com

8" Prime EVO 147644



**SUBMITTAL DATA and SPECIFICATIONS for MVP/RAM SERIES**

**Series: Mixed Flow**

**Prime EVO Models**

**Application:** Inline Mixed Flow Fans/Blowers designed to supply/exhaust applications in Residential, Commercial, Light Industrial and OEM Market.

**Manufacturer:** Ruck (EU)

**Material of Construction:** All models shall be constructed of corrosion resistant plastic for Housing and Mixed Flow Impellers.

**Impeller:** Impeller shall be constructed of corrosion resistant plastic. Impeller shall be Computer precision designed and will have plastic protection where attached to motor shaft,

**Material Temperature Limitations:** Shall be 50C/122F for Ambient and Medium for all Models per Model Specifications as specified.

**Motors:** All Models shall be 120V /1/60Hz. Motors shall be Thermally Protected. Motors shall be Speed Controlled by integral Three Speed Step Switch. Motor shall be in the airstream for effective heat dissipation and encased by plastic housing material. Motors shall be Direct Drive and shall have Sealed for Life Maintenance Free Ball Bearings.

**Mounting Bracket:** Shall be integral with fan housing for each Model as Specified.

**Safety Certifications:** All fans shall conform to ANSI/UL Standard 507 and certified to Canada Standard C22,2 NO. Intertech 5014371. Fans shall bear the C ETL US label.

**Performance and Sound Certification:** Shall be certified to ISO 5801 Standards.

PROJECT				ARCHITECT				
CONTRACTOR		DATE	SUBMITTED BY		ENGINEER			
<b>SPECIFICATION</b>								
Fan Position	Model #	CFM	In. WG	RPM	Watts	Voltage / Phase	Qty	Accessories

**WARNING: DO NOT USE IN HAZARDOUS ENVIRONMENTS WHERE FAN'S ELECTRICAL SYSTEM COULD PROVIDE IGNITION TO COMBUSTIBLE OR FLAMMABLE MATERIALS!**